

Description

For the control of lighting circuits in private buildings, small industry buildings and administration buildings. Latching relays - operate when impulsed by a signal voltage. The impulse can be provided via a pushbutton or switch. The first

pulse operates the relay and latches it into its set (opposite) state, the next operation of the pushbutton returns the relay into its reset (original) state.


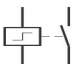

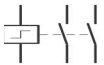

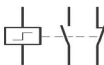






The latching relays are built to add on optionally the following auxiliaries :

- an auxiliary for centralised ON/OFF control EPN 050
- an auxiliary contact for remote signalling EPN 051
- an auxiliary for multi levelled centralised control EPN 052
- an auxiliary for control by maintained contact EPN 053.


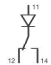

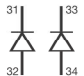
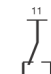
Connection capacity

10 mm² rigid cables
6 mm² flexible cables

Conform to standard EN669-1 and EN669-2-2

	<i>Designation</i>	<i>Type</i>	<i>Coil VAC 50/60Hz</i>	<i>Coil VDC</i>	<i>Power Circuit AC1</i>	<i>Width in 17.5 mm</i>	<i>Pack qty.</i>	<i>Cat. ref.</i>		
 <p>EPN 510</p>	Latching relays 	1NO	230	110	16A-250V	1	12	EPN 510		
			48	24	16A-250V	1	1	EPN 501		
			24	12	16A-250V	1	1	EPN 513		
			12	-	16A-250V	1	1	EPN 511		
 <p>EPN 540</p>		2NO	230	110	16A-250V	1	1	EPN 520		
			110	48	16A-250V	1	1	EPN 523		
			48	24	16A-250V	1	1	EPN 526		
			24	12	16A-250V	1	1	EPN 524		
			12	-	16A-250V	1	1	EPN 521		
		 <p>EPN 510</p>		1NC+1NO	230	110	16A-250V	1	1	EPN 515
					110	48	16A-250V	1	1	EPN 516
					48	24	16A-250V	1	1	EPN 503
					24	12	16A-250V	1	1	EPN 518
					12	-	16A-250V	1	1	EPN 519
		 <p>EPN 540</p>		4NO	230	110	16A-400V	2	1	EPN 540
					48	24	16A-400V	2	1	EPN 548
	24			12	16A-400V	2	1	EPN 541		
 <p>EPN 540</p>		2NC+2NO	230	110	16A-250V	2	1	EPN 525		
			24	12	16A-250V	2	1	EPN 528		
 <p>EPN 540</p>		3NO+1NC	230	110	16A-400V	2	1	EPN 546		

Latching relays auxiliaries

	<i>Designation</i>	<i>Voltage supply</i>	<i>Width in 17.5 mm</i>	<i>Pack qty.</i>	<i>Cat. ref.</i>
 <p>EPN 052</p>	Auxiliary for centralised control	 24 to 230V AC	1/2	1	EPN 050
	Auxiliary contact	 2A - 250 V AC	1/2	1	EPN 051
	Auxiliary for multi levelled centralised control	 24 to 230V AC	1/2	1	EPN 052
	Auxiliary for control by maintained contact	 24 to 230V AC	1/2	1	EPN 053